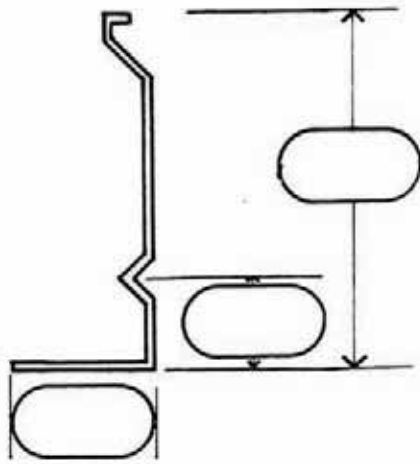
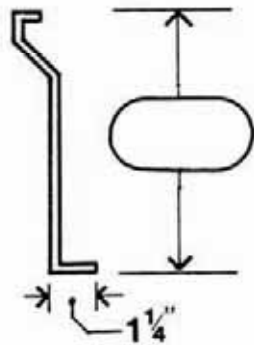


Quantity Gauge Length Mark

Quantity Gauge Length Mark

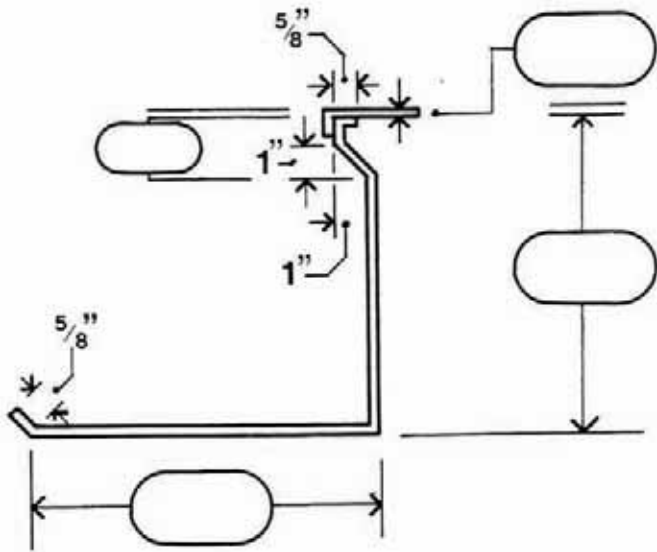
Quantity Gauge Length Mark


# EBERL

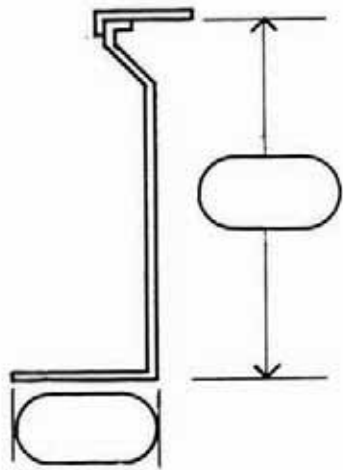
IRON WORKS, INC.

Ph: 716-854-7633 \* Fax: 716-854-1184

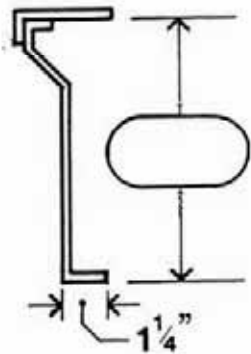
CUSTOMER	SCALE
CUSTOMER ORDER NO.	DATE
CUSTOMER JOB NAME	Pan Type
EBERL SHOP ORDER NO.	<b>2B</b>



Quantity Gauge Length Mark

Quantity Gauge Length Mark

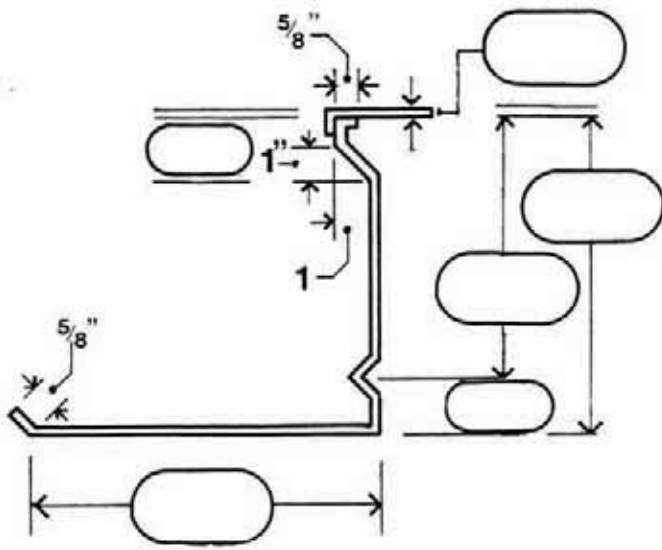



Quantity Gauge Length Mark

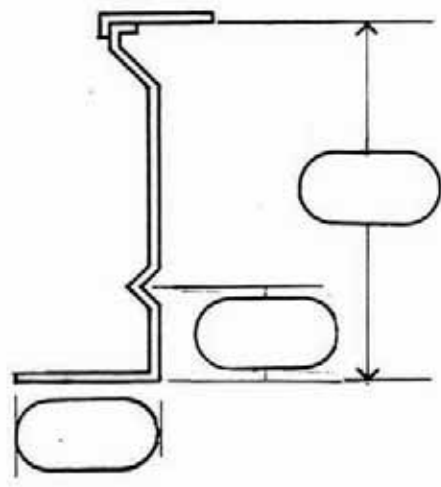

**EBERL**  
IRON WORKS, INC.

Ph: 716-854-7633 \* Fax: 716-854-1184

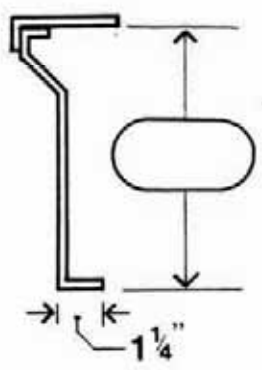
CUSTOMER	SCALE
CUSTOMER ORDER NO.	DATE
CUSTOMER JOB NAME	Pan Type
EBERL SHOP ORDER NO.	<b>2C</b>



Quantity Gauge Length Mark

Quantity Gauge Length Mark

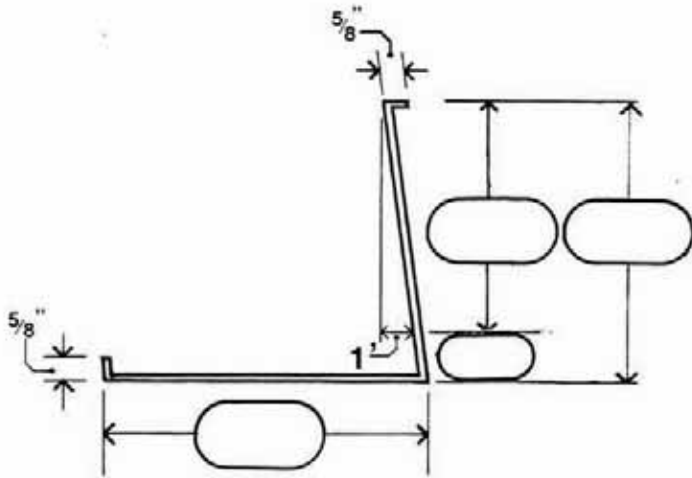



Quantity Gauge Length Mark


**EBERL**  
IRON WORKS, INC.

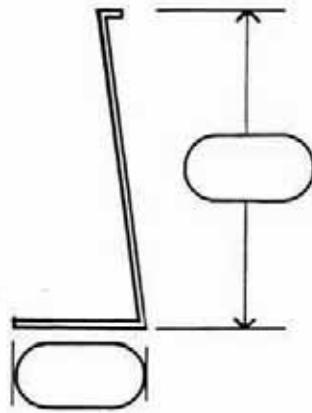
Ph: 716-854-7633 \* Fax: 716-854-1184

CUSTOMER	SCALE
CUSTOMER ORDER NO.	DATE
CUSTOMER JOB NAME	Pan Type
EBERL SHOP ORDER NO.	<b>2D</b>



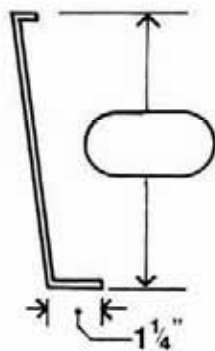
Quantity Gauge Length Mark

Quantity	Gauge	Length	Mark



Quantity Gauge Length Mark

Quantity	Gauge	Length	Mark



Quantity Gauge Length Mark

Quantity	Gauge	Length	Mark

# EBERL

IRON WORKS, INC.

Ph: 716-854-7633 \* Fax: 716-854-1184

CUSTOMER	SCALE
CUSTOMER ORDER NO.	DATE
CUSTOMER JOB NAME	Pan Type
EBERL SHOP ORDER NO.	<b>3A</b>