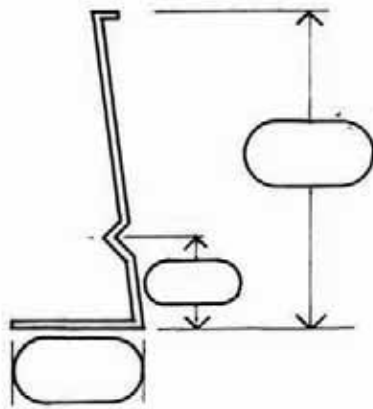
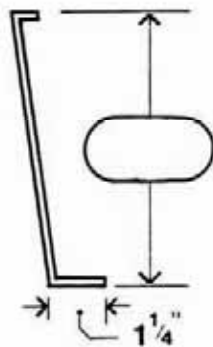


Quantity Gauge Length Mark

Quantity Gauge Length Mark

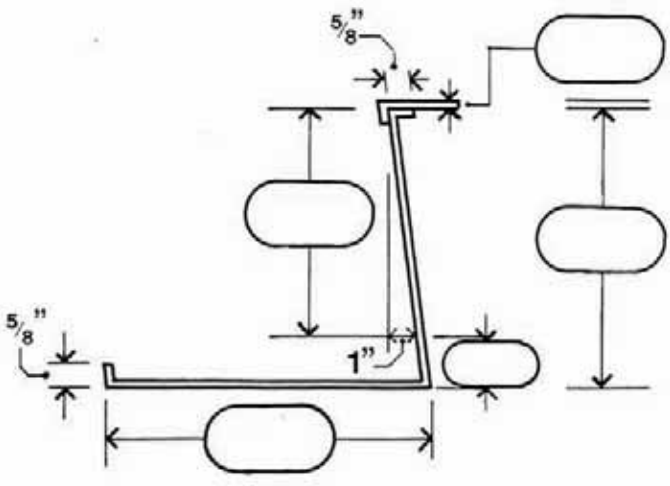



Quantity Gauge Length Mark

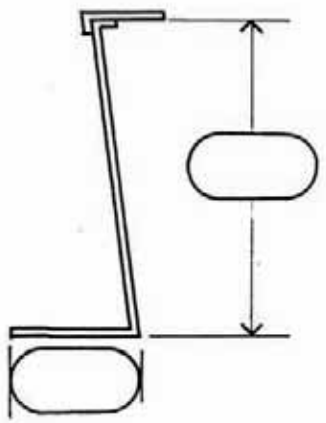

**EBERL**  
IRON WORKS, INC.

Ph: 716-854-7633 \* Fax: 716-854-1184

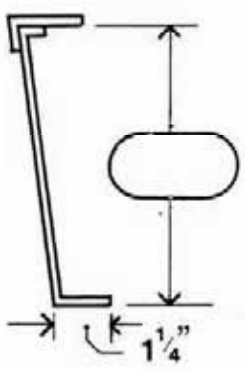
CUSTOMER	SCALE
CUSTOMER ORDER NO.	DATE
CUSTOMER JOB NAME	Pan Type
EBERL SHOP ORDER NO.	<b>3B</b>



Quantity Gauge Length Mark

Quantity Gauge Length Mark

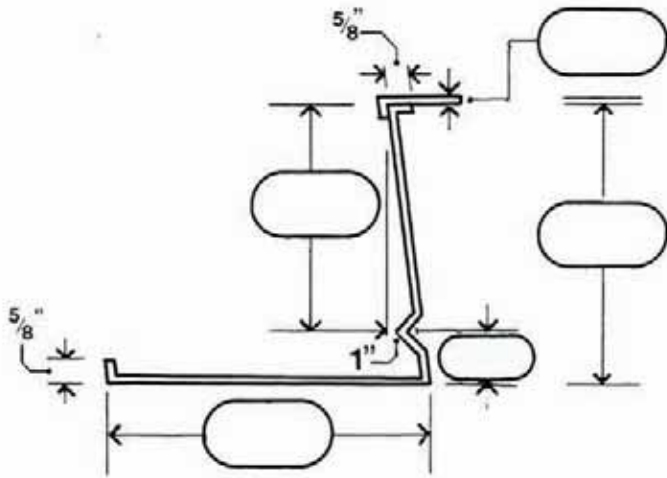



Quantity Gauge Length Mark

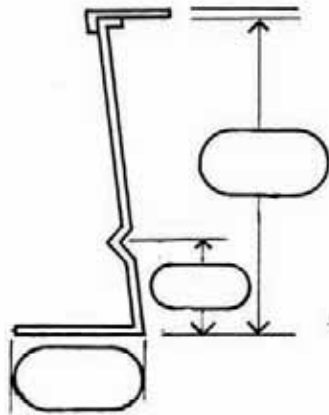

**EBERL**  
IRON WORKS, INC.

Ph: 716-854-7633 \* Fax: 716-854-1184

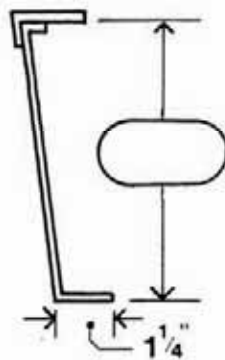
CUSTOMER	SCALE
CUSTOMER ORDER NO.	DATE
CUSTOMER JOB NAME	Pan Type
EBERL SHOP ORDER NO.	<b>3C</b>



Quantity Gauge Length Mark

Quantity Gauge Length Mark

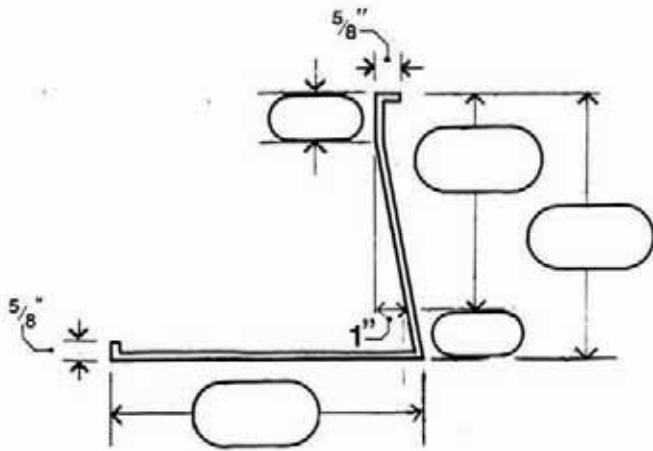



Quantity Gauge Length Mark


**EBERL**  
IRON WORKS, INC.

Ph: 716-854-7633 \* Fax: 716-854-1184

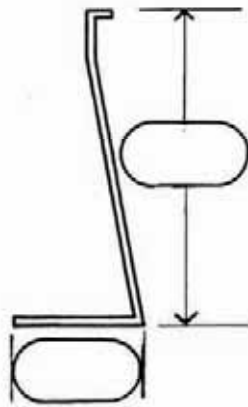
CUSTOMER	SCALE
CUSTOMER ORDER NO.	DATE
CUSTOMER JOB NAME	Pan Type
EBERL SHOP ORDER NO.	<b>3D</b>



Nominal Tread  
[not including 1" nosing]

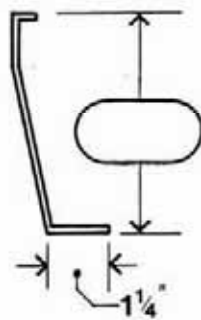
Quantity Gauge Length Mark

Quantity	Gauge	Length	Mark



Quantity Gauge Length Mark

Quantity	Gauge	Length	Mark



Quantity Gauge Length Mark

Quantity	Gauge	Length	Mark

**EBERL**  
IRON WORKS, INC.

Ph: 716-854-7633 \* Fax: 716-854-1184

CUSTOMER	SCALE
CUSTOMER ORDER NO.	DATE
CUSTOMER JOB NAME	Pan Type
EBERL SHOP ORDER NO.	<b>4A</b>