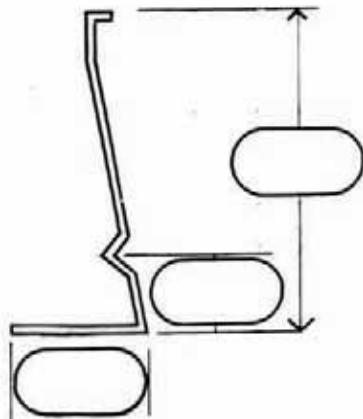


Nominal Tread
[not including 1" nosing]

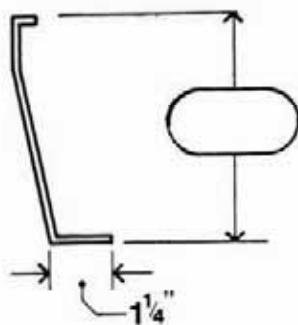
Quantity Gauge Length Mark

Quantity	Gauge	Length	Mark



Quantity Gauge Length Mark

Quantity	Gauge	Length	Mark



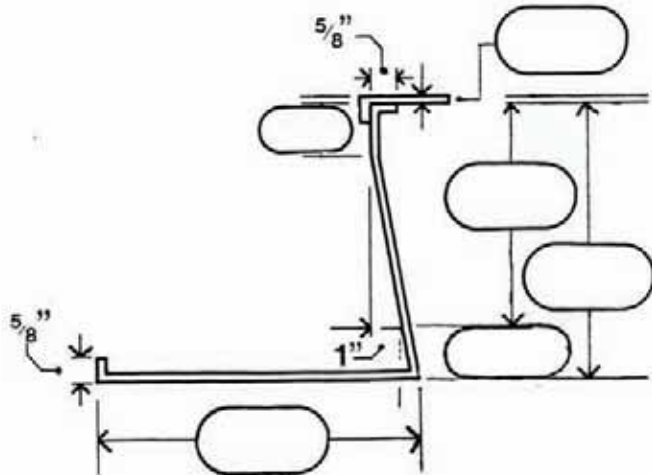
Quantity Gauge Length Mark

Quantity	Gauge	Length	Mark

EBERL
IRON WORKS, INC.

Ph: 716-854-7633 * Fax: 716-854-1184

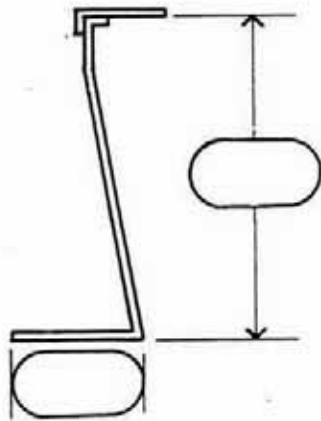
CUSTOMER	SCALE
CUSTOMER ORDER NO.	DATE
CUSTOMER JOB NAME	Pan Type
EBERL SHOP ORDER NO.	4B



Nominal Tread
[not including 1" nosing]

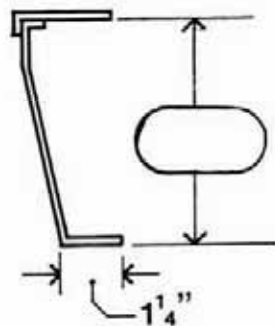
Quantity Gauge Length Mark

Quantity	Gauge	Length	Mark



Quantity Gauge Length Mark

Quantity	Gauge	Length	Mark



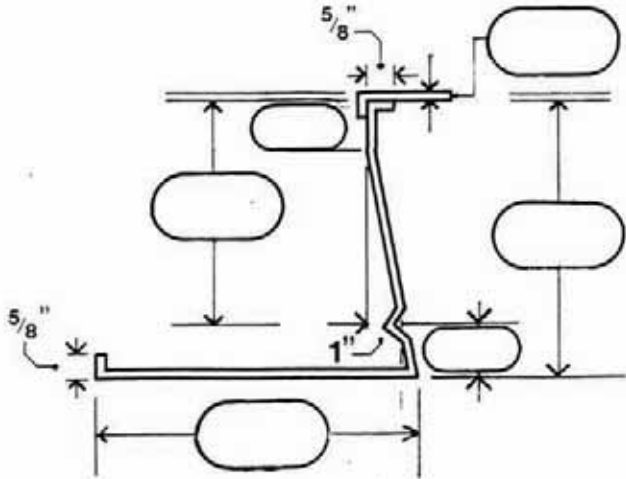
Quantity Gauge Length Mark

Quantity	Gauge	Length	Mark

EBERL
IRON WORKS, INC.

Ph: 716-854-7633 * Fax: 716-854-1184

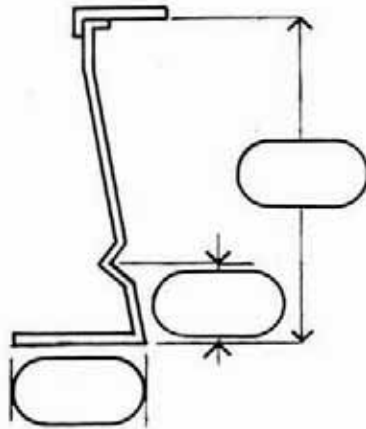
CUSTOMER	SCALE
CUSTOMER ORDER NO.	DATE
CUSTOMER JOB NAME	Pan Type
EBERL SHOP ORDER NO.	4C



Nominal Tread
[not including 1" nosing]

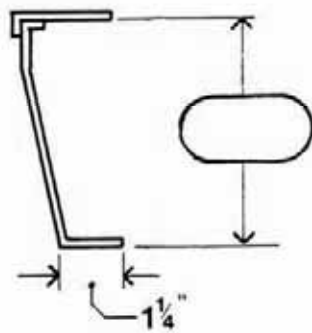
Quantity Gauge Length Mark

Quantity	Gauge	Length	Mark



Quantity Gauge Length Mark

Quantity	Gauge	Length	Mark



Quantity Gauge Length Mark

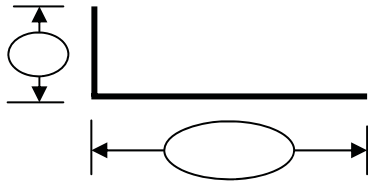
Quantity	Gauge	Length	Mark

EBERL
IRON WORKS, INC.

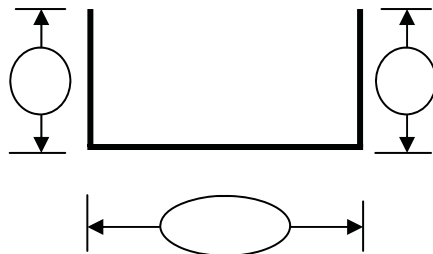
Ph: 716-854-7633 * Fax: 716-854-1184

CUSTOMER	SCALE
CUSTOMER ORDER NO.	DATE
CUSTOMER JOB NAME	Pan Type
EBERL SHOP ORDER NO.	4D

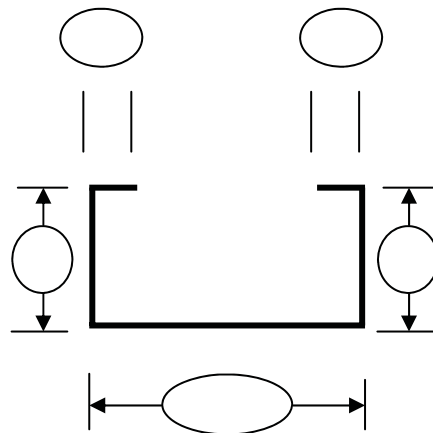
Landing Pans



Quantity Thickness Length Mark



Quantity Thickness Length Mark



Quantity Thickness Length Mark

EBERL
IRON WORKS, INC.

Ph: 716-854-7633 * Fax: 716-854-1184

CUSTOMER	SCALE
CUSTOMER ORDER NO.	DATE
CUSTOMER JOB NAME	Pan Type
EBERL SHOP ORDER NO.	LP