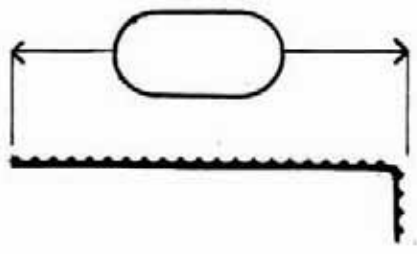
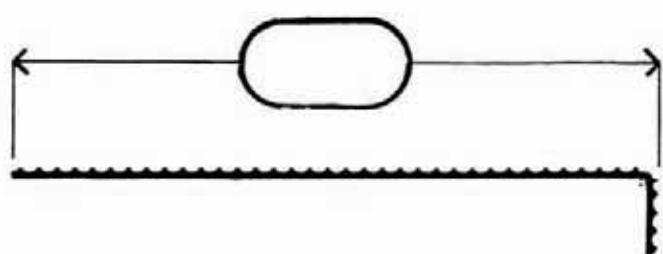


Quantity	Thickness of		Mark
	Floor Plate	Length	



Quantity	Thickness of		Mark
	Floor Plate	Length	



Quantity	Thickness of		Mark
	Floor Plate	Length	

Thickness of Floor Plate _____
 1/8" _____
 3/16" _____
 1/4" _____

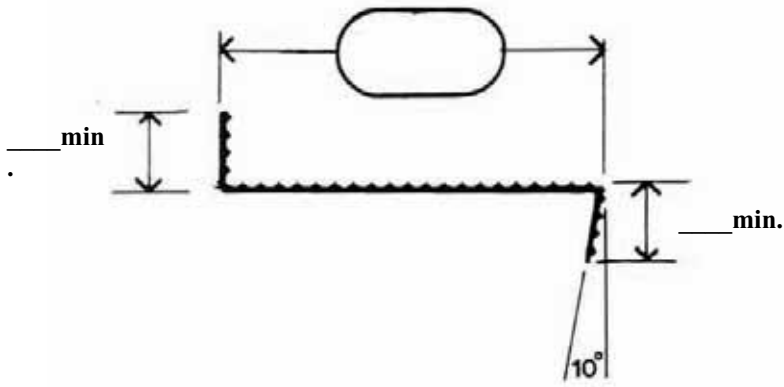
Minimum Outside Dimension of Lip _____
 1" _____
 1-1/2" _____
 1-1/2" _____

NOTE: Also available in aluminum tread plate

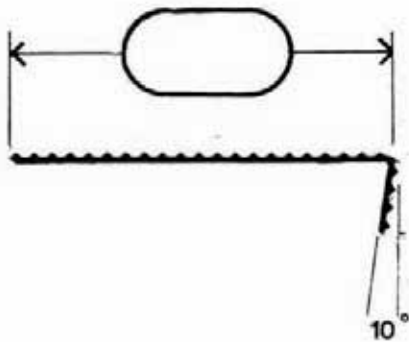
EBERL
 IRON WORKS, INC.

Ph: 716-854-7633 * Fax: 716-854-1184 25

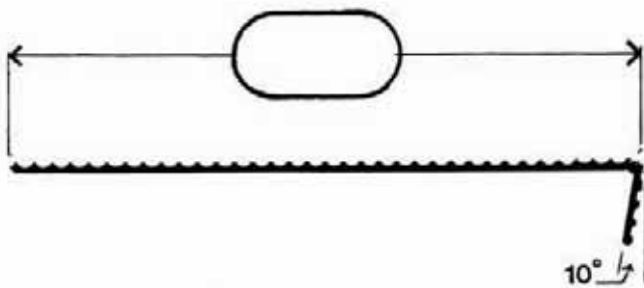
CUSTOMER	SCALE
CUSTOMER ORDER NO.	DATE
CUSTOMER JOB NAME	Tread Type
EBERL SHOP ORDER NO.	20



Quantity	Thickness of		Mark
	Floor Plate	Length	



Quantity	Thickness of		Mark
	Floor Plate	Length	



Quantity	Thickness of		Mark
	Floor Plate	Length	

Thickness of Floor Plate _____

- 1/8"
- 3/16"
- 1/4"

Minimum Outside Dimension of Lip _____

- 1"
- 1-1/2"
- 1-1/2"

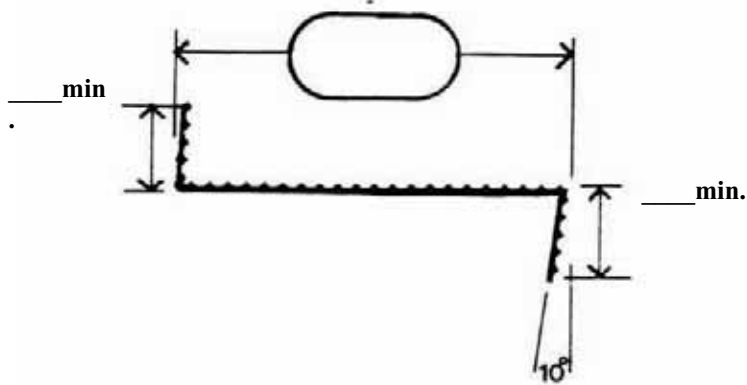
NOTE: Also available in aluminum tread plate

EBERL

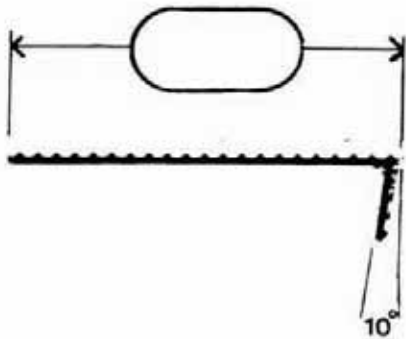
IRON WORKS, INC.

Ph: 716-854-7633 * Fax: 716-854-1184

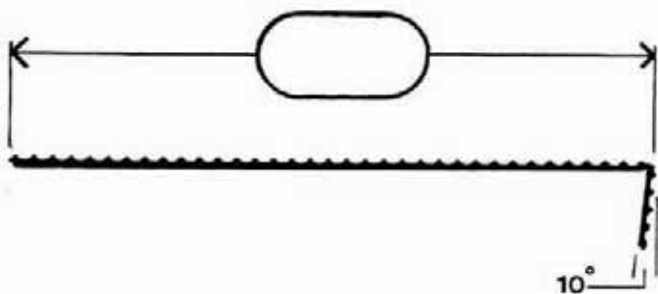
CUSTOMER	SCALE
CUSTOMER ORDER NO.	DATE
CUSTOMER JOB NAME	Tread Type
EBERL SHOP ORDER NO.	21



Quantity	Thickness of		Mark
	Floor Plate	Length	



Quantity	Thickness of		Mark
	Floor Plate	Length	



Quantity	Thickness of		Mark
	Floor Plate	Length	

Thickness of Floor Plate _____

- 1/8"
- 3/16"
- 1/4"

Minimum Outside Dimension of Lip _____

- 1"
- 1-1/2"
- 1-1/2"

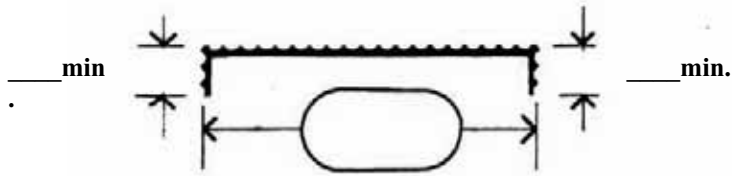
NOTE: Also available in aluminum tread plate

EBERL

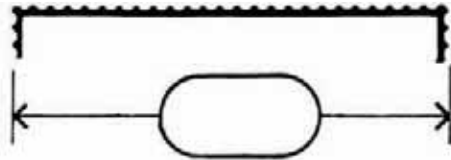
IRON WORKS, INC.

Ph: 716-854-7633 * Fax: 716-854-1184

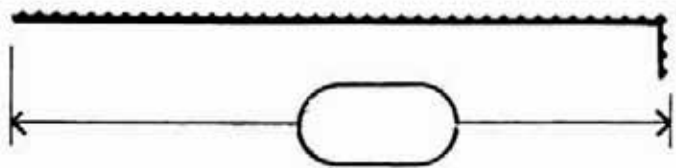
CUSTOMER	SCALE
CUSTOMER ORDER NO.	DATE
CUSTOMER JOB NAME	Tread Type
EBERL SHOP ORDER NO.	22



Quantity	Thickness of		Mark
	Floor Plate	Length	



Quantity	Thickness of		Mark
	Floor Plate	Length	



Quantity	Thickness of		Mark
	Floor Plate	Length	

Thickness of Floor Plate _____

- 1/8"
- 3/16"
- 1/4"

Minimum Outside Dimension of Lip _____

- 1"
- 1-1/2"
- 1-1/2"

NOTE: Also available in aluminum tread plate

EBERL

IRON WORKS, INC.

Ph: 716-854-7633 * Fax: 716-854-1184

CUSTOMER	SCALE
CUSTOMER ORDER NO.	DATE
CUSTOMER JOB NAME	Tread Type
EBERL SHOP ORDER NO.	23