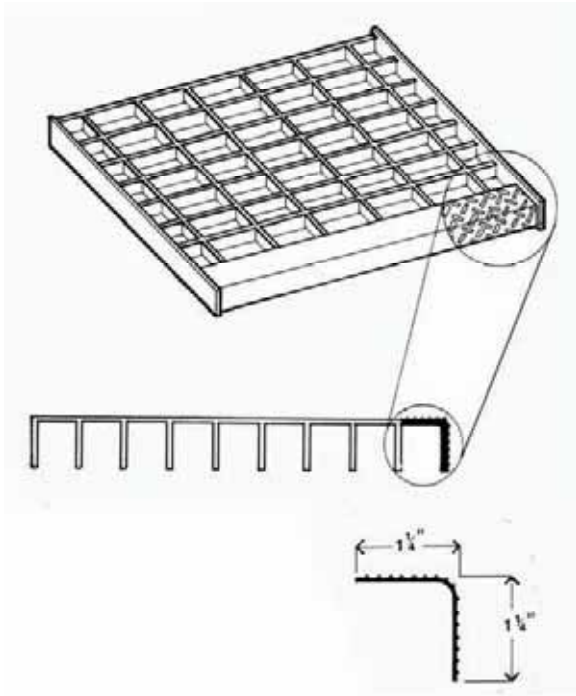


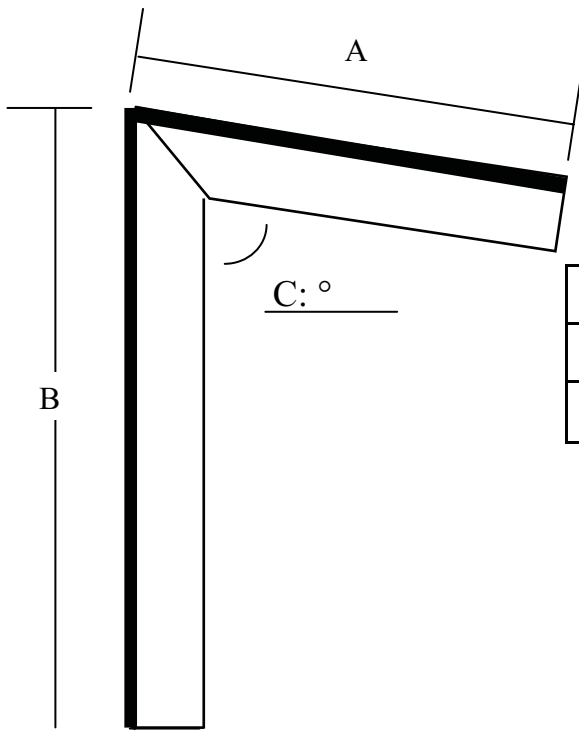
NOSINGS



Cut to Length or in Random Lengths

Quantity	Thickness of Floor Plate	Length	Mark

NOTE: Nosings are available in 1/8" & 3/16" Floor Plate and Aluminum Tread Plate



1-1/4" X 1-1/4" X 3/16" CARRIER ANGLES

Quantity	A	B	C

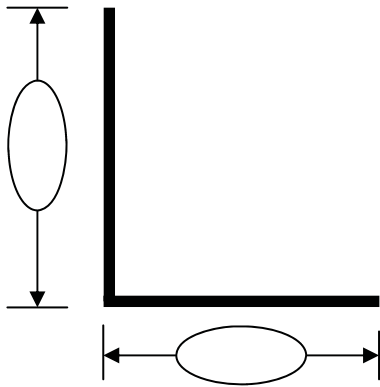
Please specify if you use a different riser support.

EBERL
IRON WORKS, INC.

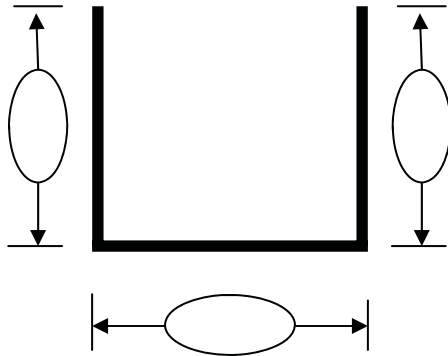
Ph: 716-854-7633 * Fax: 716-854-1184 33

CUSTOMER	SCALE
CUSTOMER ORDER NO.	DATE
CUSTOMER JOB NAME	Product Type
EBERL SHOP ORDER NO.	N/CA

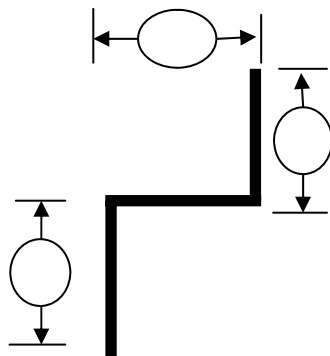
Bent Plate



Quantity Thickness Length Mark



Quantity Thickness Length Mark



Quantity Thickness Length Mark

All dimensions O.D.
unless noted by customer.

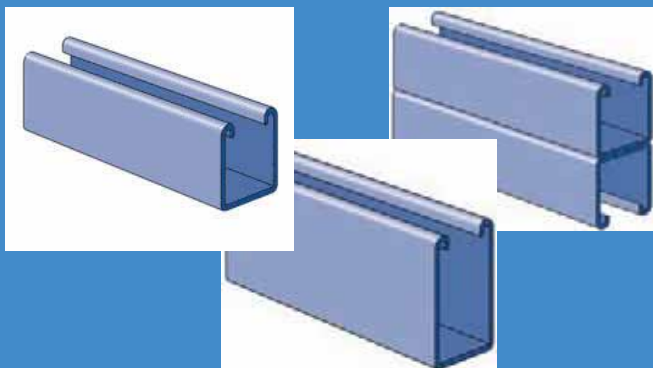
EBERL
IRON WORKS, INC.

Ph: 716-854-7633 * Fax: 716-854-1184 34

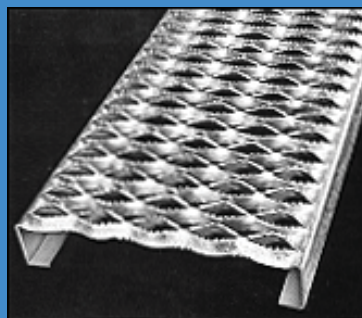
CUSTOMER	SCALE
CUSTOMER ORDER NO.	DATE
CUSTOMER JOB NAME	Product Type
EBERL SHOP ORDER NO.	BP

Unistrut Buffalo a division of **Eberl Iron Works, Inc.**
 also Specializes in the Distribution of These Products.

Unistrut Channel



Gratings

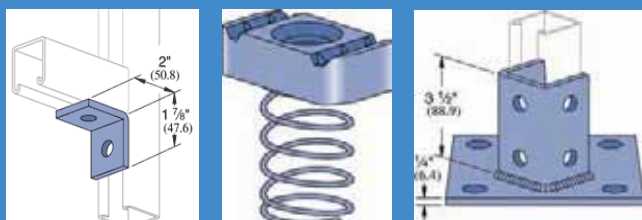


Grip Strut



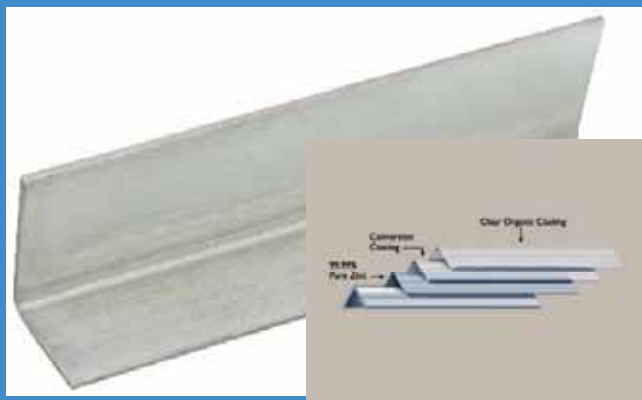
**Serrated and Non-Serrated
Plank Gratings**

Unistrut Parts & Fittings



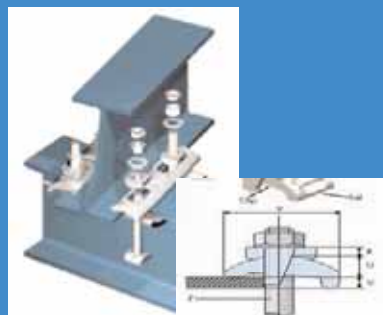
Perf-O-Grip

**Flo-Form In-line
Galvanized Angle**



**Greater Strength and Less
Cost than Hot Dip Galvanized
Structural Angle.**

**Lindapter
Steel Connection System**



Girder Clamps



**Hollo-Bolt Steel
Cavity Connections**

For more information on any of these products contact our customer service department at 1-800-285-3056 or visit us online at www.stairpans.com.

Unistrut Buffalo
 a division of **Eberl Iron Works, Inc.**



VISIT US AT: WWW.STAIRPANS.COM TODAY,
AND BEGIN REQUESTING YOUR QUOTES ONLINE.

StairPans & Treads



Bent Plate & Pour Stop



Eberl Iron Works, Inc.
128 Sycamore St.
Buffalo, NY 14204
Ph: 716-854-7633 1-800-285-3056
Fx: 716-854-1184
E-mail: Sales@eberliron.com
www.stairpans.com

Eberl Iron Works, Inc.
128 Sycamore St.
Buffalo, NY 14204
Ph: 716-854-7633 1-800-285-3056
Fx: 716-854-1184
E-mail: Sales@eberliron.com
www.stairpans.com