

Eberl Iron Works, Inc.  
128 Sycamore St.  
Buffalo, NY 14204



TF: (800) 285-3056  
F: (716) 854-1184  
E: fab@eberliron.com

## **CONTACT INFORMATION**

Name: \_\_\_\_\_

Email: \_\_\_\_\_

Phone Number: \_\_\_\_\_

Company: \_\_\_\_\_

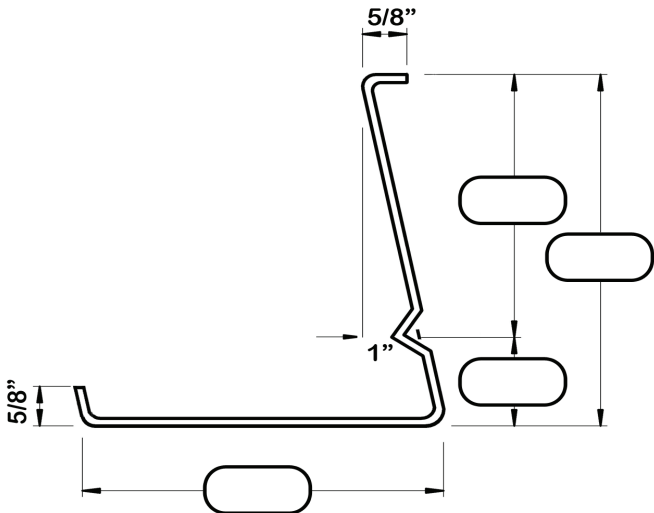
## **SHIPPING INFORMATION**

State: \_\_\_\_\_

City: \_\_\_\_\_

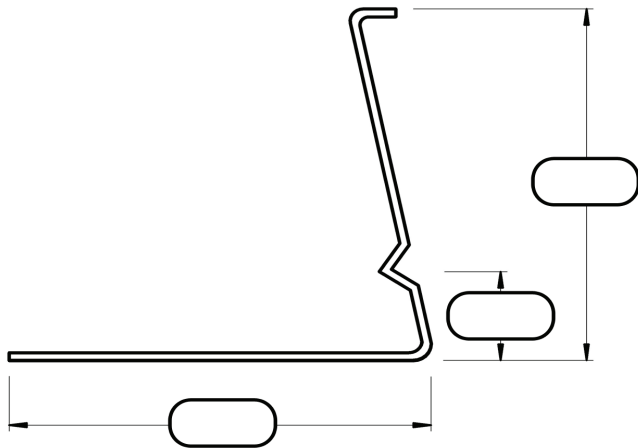
Zip Code: \_\_\_\_\_

# STAIRPAN TYPE 3B



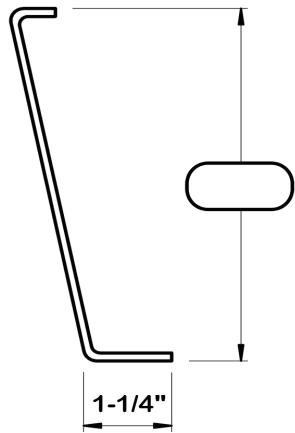
## COMBINATION TREAD & RISER

| QTY | Gauge | Length | Mark |
|-----|-------|--------|------|
|     |       |        |      |
|     |       |        |      |
|     |       |        |      |
|     |       |        |      |
|     |       |        |      |
|     |       |        |      |



## LANDING RISER

| QTY | Gauge | Length | Mark |
|-----|-------|--------|------|
|     |       |        |      |
|     |       |        |      |
|     |       |        |      |
|     |       |        |      |



## STARTER RISER

| QTY | Gauge | Length | Mark |
|-----|-------|--------|------|
|     |       |        |      |
|     |       |        |      |



Stair Components & Systems

1 (800) 285-3056

|          |       |           |
|----------|-------|-----------|
| Customer | Type  | <b>3B</b> |
| Order #  | Scale |           |
| Job Name | Date  |           |

email: fab@eberliron.com

stairpans.com

# HOW TO USE THIS MANUAL

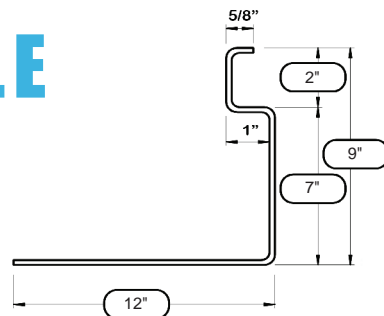
This manual was designed to help customers obtain quotes for stairpans, stair treads and other stair system components. Simply locate and download or print the form for the desired item, fill the form out and then return it.

Be sure to fill in all dimensions, including: quantity, material thickness, and length. Also let us know, in the "Mark" field, how you would like us to label your stair components. Marking helps make the receiving and installation processes much more efficient. Note special requirements for notching, punching, and painting.

Forms are fillable and may be completed on your device and emailed, or printed and filled out by hand, then faxed or scanned and emailed back to us.

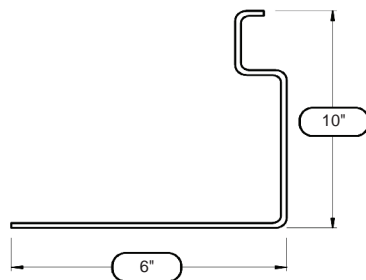
Quotes are typically turned around in 1 business day or less.

**SAMPLE**



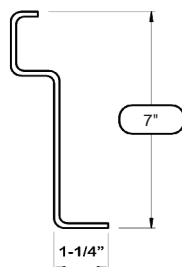
### COMBINATION TREAD & RISER

| QTY | Gauge | Length | Mark |
|-----|-------|--------|------|
| 12  | 12 ga | 42"    | 1P2  |
|     |       |        |      |
|     |       |        |      |
|     |       |        |      |
|     |       |        |      |
|     |       |        |      |



### LANDING RISER

| QTY | Gauge | Length | Mark |
|-----|-------|--------|------|
| 1   | 12 ga | 42"    | 1P3  |
|     |       |        |      |
|     |       |        |      |
|     |       |        |      |



### STARTER RISER

| QTY | Gauge | Length | Mark |
|-----|-------|--------|------|
| 1   | 12 ga | 42"    | 1P1  |
|     |       |        |      |

ORDER FORMS MANUAL

|          |                  |       |           |
|----------|------------------|-------|-----------|
| Customer | Eberl Iron Works | Type  | <b>1A</b> |
| Order #  | 123456           | Scale |           |
| Job Name | OFM-Sample       | Date  |           |