

Eberl Iron Works, Inc.
128 Sycamore St.
Buffalo, NY 14204



TF: (800) 285-3056
F: (716) 854-1184
E: fab@eberliron.com

CONTACT INFORMATION

Name: _____

Email: _____

Phone Number: _____

Company: _____

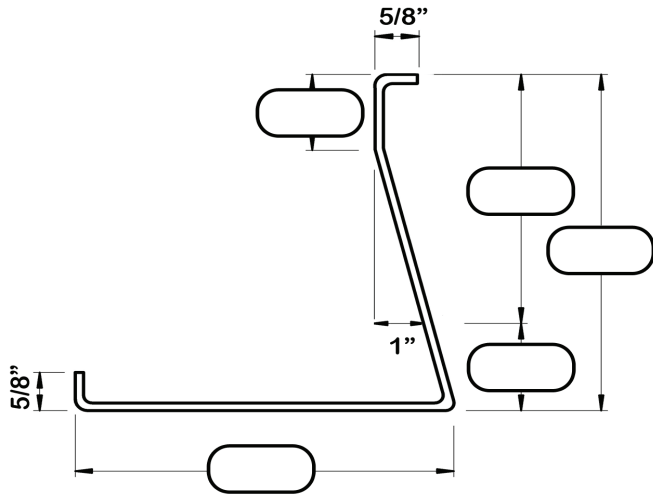
SHIPPING INFORMATION

State: _____

City: _____

Zip Code: _____

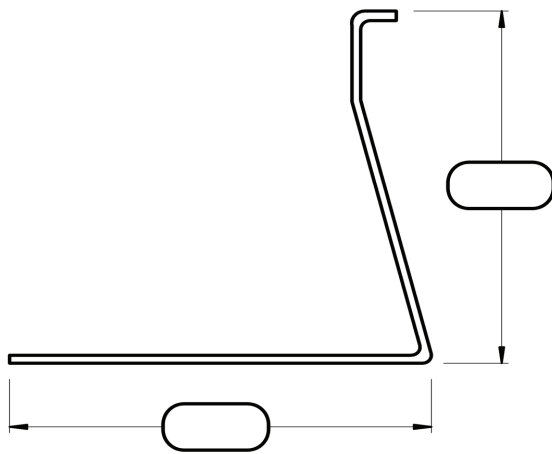
STAIRPAN TYPE 4A



Nominal Tread (not including 1" nosing)

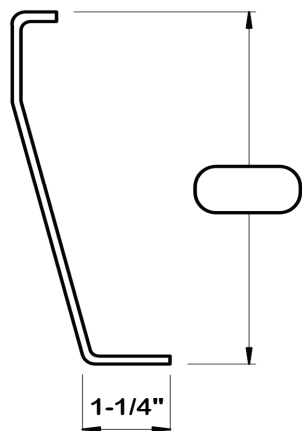
COMBINATION TREAD & RISER

QTY	Gauge	Length	Mark



LANDING RISER

QTY	Gauge	Length	Mark



STARTER RISER

QTY	Gauge	Length	Mark



Stair Components & Systems

1 (800) 285-3056

Customer	Type	4A
Order #	Scale	
Job Name	Date	

email: fab@eberliron.com

stairpans.com

HOW TO USE THIS MANUAL

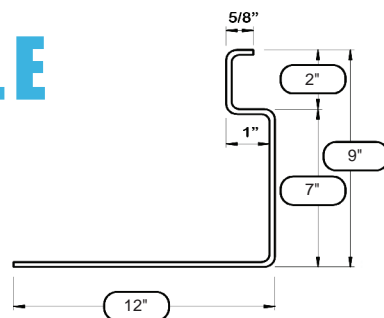
This manual was designed to help customers obtain quotes for stairpans, stair treads and other stair system components. Simply locate and download or print the form for the desired item, fill the form out and then return it.

Be sure to fill in all dimensions, including: quantity, material thickness, and length. Also let us know, in the "Mark" field, how you would like us to label your stair components. Marking helps make the receiving and installation processes much more efficient. Note special requirements for notching, punching, and painting.

Forms are fillable and may be completed on your device and emailed, or printed and filled out by hand, then faxed or scanned and emailed back to us.

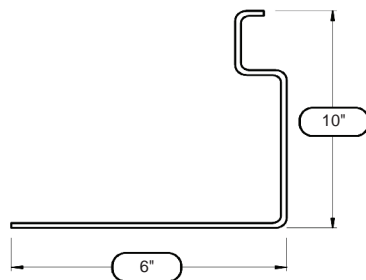
Quotes are typically turned around in 1 business day or less.

SAMPLE



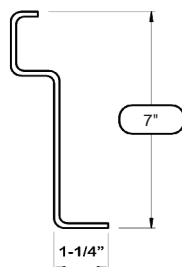
COMBINATION TREAD & RISER

QTY	Gauge	Length	Mark
12	12 ga	42"	1P2



LANDING RISER

QTY	Gauge	Length	Mark
1	12 ga	42"	1P3



STARTER RISER

QTY	Gauge	Length	Mark
1	12 ga	42"	1P1

ORDER FORMS MANUAL

Customer	Eberl Iron Works	Type	1A
Order #	123456	Scale	
Job Name	OFM-Sample	Date	