



## SPECTRA® SAFETY TREADS

### SPECTRA® TREADS PROVIDE:

A high content of aluminum oxide abrasive grit for long life and lasting beauty. Spectra's safety surface has easy maintenance features and insures greatest protection from liability of falls and injuries.

### SPECTRA® FEATURES:

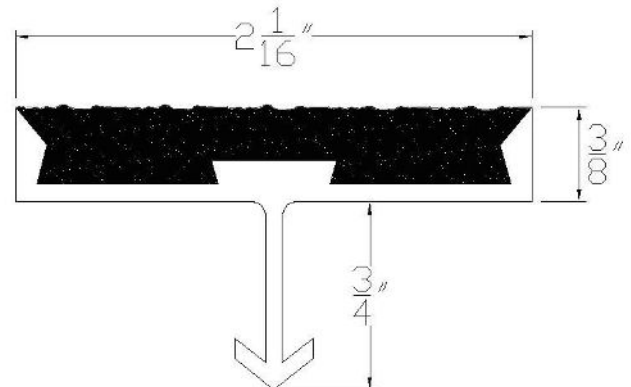
- Extruded aluminum base - abrasive filler
- Lengths to order – up to 10'-0" max in one piece
- Lengths over maximum to be made in equal sections
- Anti-slip abrasive extending over radius of nose
- High content of aluminum oxide abrasive
- 18 standard colors - Colors extend throughout filler
- Clean architectural lines
- Protective tape available at additional cost
- Noncombustible



### SPECTRA® SPECIFICATION:

- Provide Spectra® type **WP24A** safety nosings as manufactured by Wooster Products Inc. for interior and exterior stairs.
- Tread base shall be type 6063-T5 extruded aluminum.
- Anti-slip filler shall contain not less than 60% virgin grain Aluminum Oxide ( $Al_2O_3$ ) abrasive.
- Binder is to be a fully cured resilient type epoxy; epoxy binder to filler ratio to be 13% minimum for improved cleanability.
- Epoxy/Abrasive filler shall be securely bonded to the extruded aluminum base.
- Treads may terminate 4" from ends of steps for poured concrete stairs; for concrete filled pan stairs, nosings shall be full length of steps less 1/8" clearance.
- Color shall extend uniformly throughout the filler; black color will be furnished if no other color is specified.
- Nosings shall finish flush with the top of the traffic surface.
- Meets **California Title 24** code for the visually impaired.

Type WP24A



2 1/16" wide, 3/8" thick, Sure Hold anchor

DRAWING NOT TO SCALE

Maximum length is 10'-0".

The type WP24A is to be recessed into fresh concrete.

### GUIDELINES FOR THE INSTALLATION OF METAL SAFETY TREADS OR NOSINGS INTO NEW CONCRETE OR STEEL PAN FILLED STAIRS:

- The use of very large aggregate in the concrete mix may make placement of the safety nosing difficult.
- Safety nosing placement may be difficult in concrete with very low slump.
- Place concrete into the stair forms or steel pans as quickly as possible; schedule pour so as to install the metal safety nosings quickly before the initial set of concrete occurs.
- Puddle the concrete, tamp the safety nosings to insure proper concrete formation around the anchors.
- Remove protective tape (if used) as soon as practical.
- Order nosings or treads well in advance of the pour or installation date.
- Close Stairway after pour; permit no use for 24 hours.

**WOOSTER PRODUCTS INC, 1000 SPRUCE ST., WOOSTER, OH 44691**

**Toll Free: 800-321-4936**

**Phone: 330-264-2844**

**Fax: 330-262-4151**

**Website: <http://www.woosterproducts.com>**

**E-mail: [sales@wooster-products.com](mailto:sales@wooster-products.com)**