

WP® TWO-STAGE SPECTRA® SAFETY TREADS

SPECTRA® TREADS PROVIDE:

A high content of aluminum oxide abrasive grit for long life and lasting beauty. Spectra's safety surface has easy maintenance features and insures greatest protection from liability of falls and injuries. Available with replaceable wood insert to avoid damage during initial construction, which is then replaced with an anti-slip Spectra insert during final construction.

SPECTRA® FEATURES:

- Extruded aluminum base
- Optional wood top insert
- Replaceable anti-slip insert
- Lengths to order - up to 8'0" max.
- Steel pan or poured concrete steps
- High content of aluminum oxide abrasive
- 18 standard colors - Colors extend throughout
- Clean architectural lines
- Protective tape available

SPECTRA® SPECIFICATION:

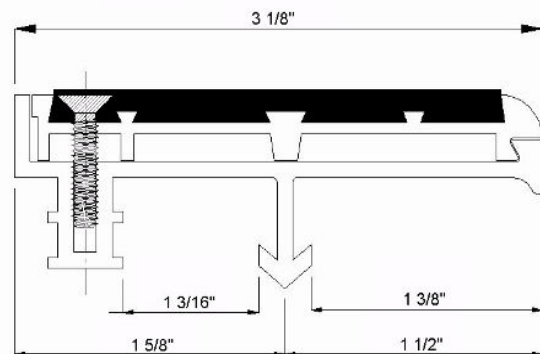
- Provide Spectra® type WP-RN3SP safety nosings as manufactured by Wooster Products Inc. for interior and exterior stairs.
- Nosing base shall be type 6063-T5 extruded aluminum.
- Anti-slip filler shall contain not less than 60% virgin grain Aluminum Oxide abrasive.
- Binder is to be a fully cured resilient type epoxy; epoxy binder to filler ratio to be 13% minimum for improved cleanability.
- Epoxy/abrasive filled replaceable insert, optional wood insert for initial construction
- Nosings shall terminate not more than 4" from ends of steps for poured concrete stairs; for concrete filled steel pan stairs, nosings shall be full length of steps less 1/8" clearance.
- Color shall extend uniformly throughout the filler; black color will be furnished if no other color is specified.
- Nosings shall finish flush with the top of the traffic surface.

GUIDELINES FOR THE INSTALLATION OF METAL SAFETY TREADS OR NOSINGS INTO NEW CONCRETE OR STEEL PAN FILLED STAIRS:

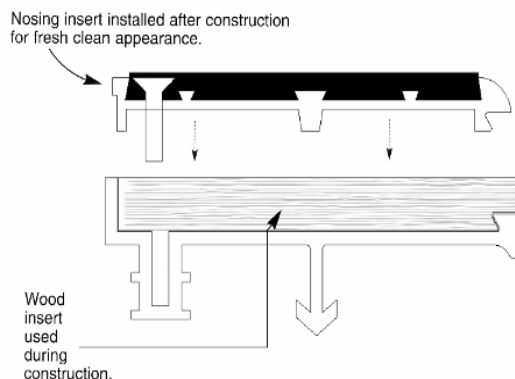
The use of very large aggregate in the concrete mix may make placement of the safety nosing difficult. Safety nosing placement may be difficult in concrete with very low slump. Place concrete into the stair forms or steel pans as quickly as possible; schedule pours so as to install the metal safety nosings quickly before initial set of concrete occurs. Puddle the concrete, tamp the safety nosing to insure proper concrete formation around the anchors. Remove protective tape (if used) as soon as practical. Order nosings or treads well in advance of the pour or installation date. Close stairway after pour; permit no use for 24 hours.

Type WP-RN3SP

3 1/8" wide, 9/16" thick,
DRAWING NOT TO SCALE



Detail - sure hold anchor in concrete step



WOOSTER PRODUCTS INC, 1000 SPRUCE ST., WOOSTER, OH 44691

Toll Free: 800-321-4936

Phone: 330-264-2844

Fax: 330-262-4151

Web Site: <http://www.wooster-products.com>

E-mail: sales@wooster-products.com